



**TECHNICAL
ADVANTAGES**

Authorised OHAUS Australia Dealer
www.techadv.com.au
sales@techadv.com.au

Ionizer 100A Instruction Manual



1. INTRODUCTION

This manual contains installation, operation and maintenance instructions for the Ionizer 100A. When using the ionizer, basic safety procedures must be followed. Read with attention all instructions before using the ionizer.

1.1 Definition of Signal Warnings and Symbols

Safety notes are marked with signal words and warning symbols. These show safety issues and warnings. Ignoring the safety notes may lead to personal injury, damage to the equipment, malfunctions and false results.

Signal Words

CAUTION Indicates a hazardous situation with low risk, resulting in damage to the device or the property or in loss of data, or injuries if not avoided.

Attention: Indicates important information about the product

Warning Symbols



General hazard



Direct current

1.2 Safety Precautions



CAUTION: READ ALL SAFETY WARNINGS BEFORE INSTALLING, MAKING CONNECTIONS, OR SERVICING THIS EQUIPMENT. FAILURE TO COMPLY WITH THESE WARNINGS COULD RESULT IN PERSONAL INJURY AND/OR PROPERTY DAMAGE. RETAIN ALL INSTRUCTIONS FOR FUTURE REFERENCE.

- The equipment is supplied with a grounded power cable, which must be connected to a compatible grounded power receptacle.
- Do not position the equipment such that it is difficult to disconnect the power cord from the power receptacle.
- Make sure that the power cord does not pose a potential obstacle or tripping hazard.
- Operate the equipment only under ambient conditions specified in these instructions.
- The equipment is for indoor use only. Use the equipment only in dry locations.
- The equipment should only be operated by properly trained personnel.
- Turn the equipment off when not in use.
- Disconnect the equipment from the power supply during cleaning or maintenance.
- Do not touch the electrode pins while the equipment is turned on.

1.3 Features

The Ionizer 100A generates bipolar ions continuously by DC corona discharge separately from positive and negative discharge electrodes and directs the ionized air onto the charged body to eliminate static electricity. The generated ions are well-balanced in polarity and can eliminate static electricity regardless of the polarity of the charged body.

Static electricity

Generally, insulators such as plastics are prone to be charged with static electricity when the ambient relative humidity is below 45%RH. This may affect weighing and cause a measurement error of several milligrams. The Ionizer 100A can eliminate static electricity very effectively.

2. INSTALLATION

2.1 Package Contents

- Ionizer
- AC Adapter
- Instruction Manual

2.2 Installing Components

Follow the steps below to install the ionizer.

Step 1. Place the ionizer on the table next to the balance as shown below. The distance between the ionizer and the balance should be more than 20 mm.

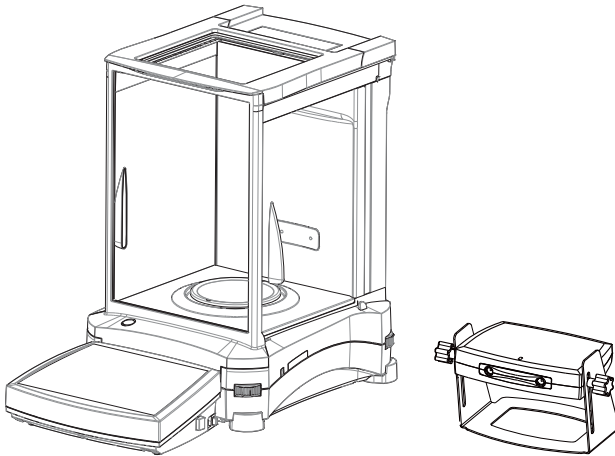


Figure 2-1. Place the ionizer next to the balance

Step 2. Adjust the height and angle of the ionizer by loosening the two lock knobs on each side of the ionizer and moving it to the optimal position.

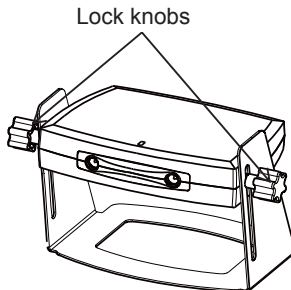
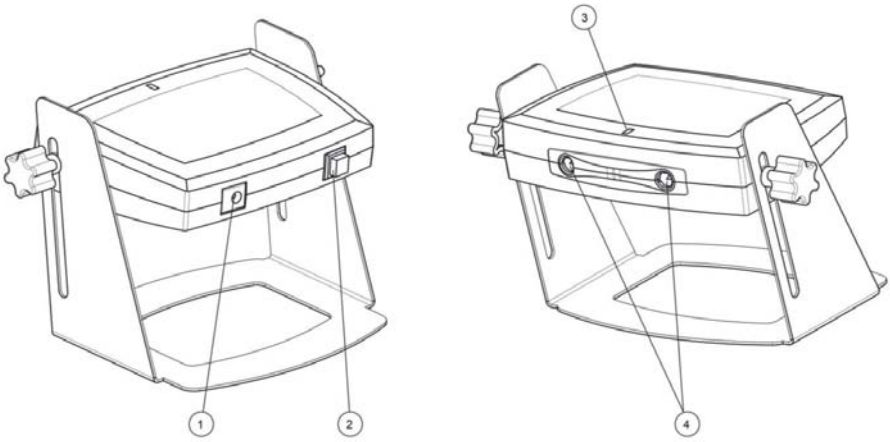


Figure 2-2. Adjusting the height and angle

- Step 3. Tighten the two lock knobs.
- Step 4. Connect the AC adapter to a power outlet.

3. OPERATION

3.1 Overview of Controls



Item	Description
1	Power connection
2	Power switch
3	Power indicator lamp
4	Electrode pins

3.2 Operating the Ionizer

Step 1. Turn on the ionizer by pressing the power switch.

Step 2. Place the sample in front of the ionizer in the working area as shown below. The distance between the sample and the ionizer should be around 10~40cm.

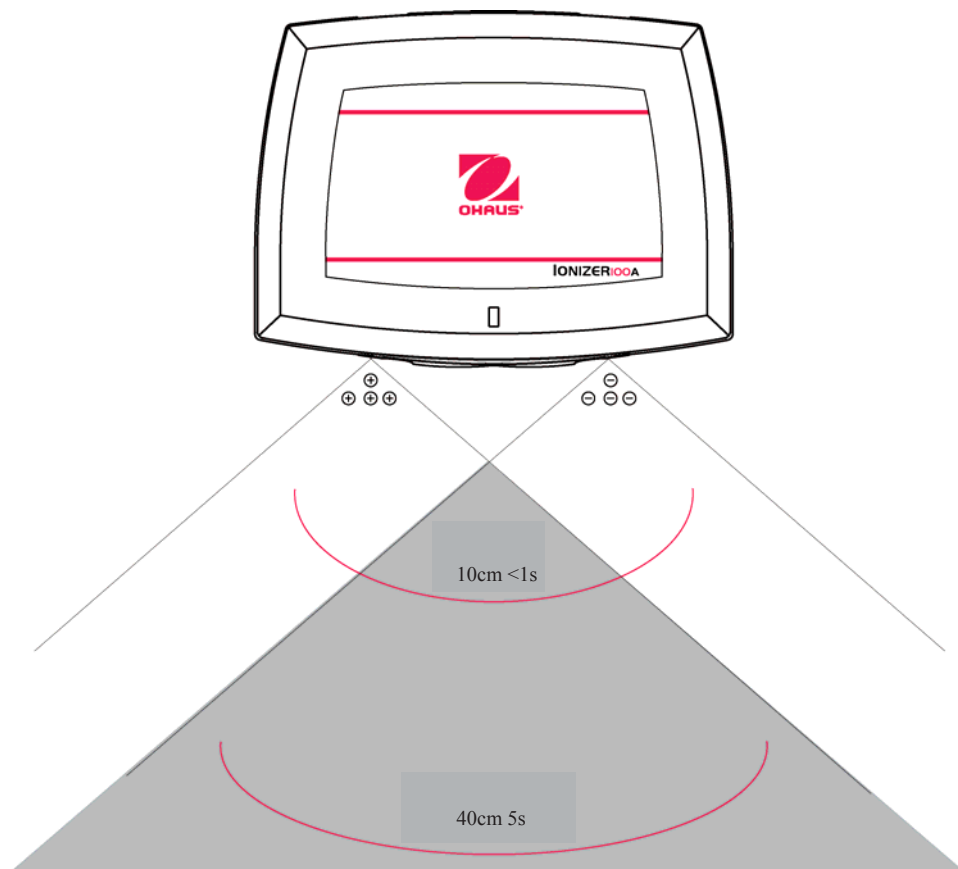


Figure 3-1. Working area

Step 3. After about 5 seconds, remove the sample.

Step 4. Start weighing the sample.

4. MAINTENANCE



CAUTION: Turn Off the ionizer with the switch and disconnect the AC adapter before starting any maintenance work.
Do not allow liquids to enter the housing.

4.1 Cleaning

Clean the electrode pins using alcohol and cotton swabs as shown below.

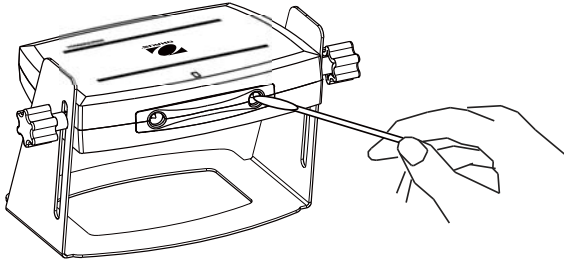


Figure 4-1. Cleaning the electrode pins

Clean the housing using a soft cloth, dampened with water and a mild detergent.
Attention: Do not use harsh chemicals to clean the balance, as the finish may be damaged.

4.2 Replacing the Electrode Pins

Using needle nose pliers, grip the electrode pin and pull it out of the socket. Gently push the new electrode pin into the socket until it is fully inserted in the socket. Replacement electrode pins can be ordered from OHAUS, please see below for information.

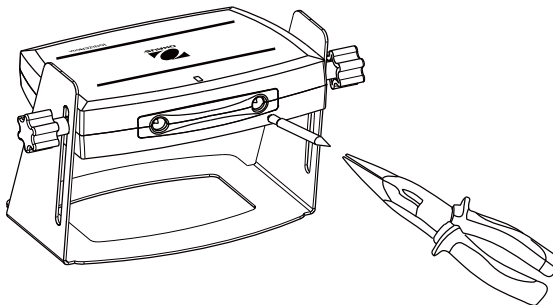


Figure 4-2. Replacing the electrode pins

Accessories:

SP Electrode pins, ION-100A	PN: 30133391
-----------------------------	--------------

5. TECHNICAL DATA

5.1 Specifications

Model	ION-100A (Europe: P/N 30095929, Americas: P/N 30130302, Asia-Pacific: P/N 30130303)
Ion Generation Method	DC Corona Discharge
Ionic concentration	>1*10 ⁶ EA/cm ³ (10cm distance)
Effective Static Removal Range	100 to 400mm from the outlet
Static Elimination Time (approx.)	1s/10cm, 5s/20cm (from ±1000V to ±100V)
Ozone Concentration	<0.05 ppm
Electrode Probes	Tungsten(φ2.5mm/Length: 17.8mm) (Durability: 15,000 hours)
Fan Speed	Fan Free
Power Input	12V $\overline{=}$ 0.5A
Ambient conditions	Indoor use only
Altitude	Up to 2000 m
Specified Temperature Range	0°C to 40°C
Operating Temperature Range	5°C to 40°C / 41°F to 104°F
Humidity	maximum relative humidity 80 % for temperatures up to 31°C, decreasing linearly to 50% relative humidity at 40°C
Mains supply voltage fluctuations	up to ±10% of the nominal voltage
Installation category	II
Pollution degree	2
Net Weight	0.5kg/1.1lb
Shipping Dimension (cm)	(W × H × L) 28*21*15 / 11 × 8.27 × 5.9 in
Shipping Weight	1.2kg/2.6lb

5.2 Dimensions

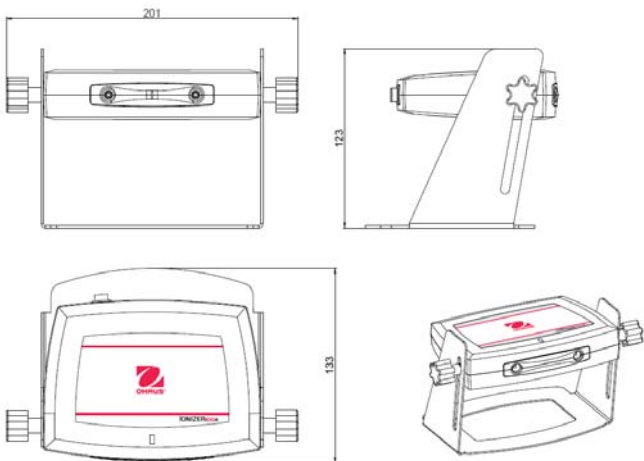




Figure 5-1. Dimensions

6 COMPLIANCE

Compliance to the following standards is indicated by the corresponding mark on the product.

Mark	Standard
	This product complies with the applicable harmonized standards of EU Directives 2011/65/EU (RoHS), 2014/30/EU (EMC) and 2014/35/EU (LVD). The EU Declaration of Conformity is available online at www.ohaus.com/ce .
	EN 61326-1

Disposal



In conformance with the European Directive 2002/96/EC on Waste Electrical and Electronic Equipment (WEEE) this device may not be disposed of in domestic waste. This also applies to countries outside the EU, per their specific requirements. Please dispose of this product in accordance with local regulations at the collecting point specified for electrical and electronic equipment. If you have any questions, please contact the responsible authority or the distributor from which you purchased this device. Should this device be passed on to other parties (for private or professional use), the content of this regulation must also be related.

For disposal instructions in Europe, refer to www.ohaus.com/weee

Thank you for your contribution to environmental protection.

FCC Note

This equipment has been tested and found to comply with the limits for a Class B digital device, pursuant to part 15 of the FCC Rules. These limits are designed to provide reasonable protection against harmful interference in a residential installation. This equipment generates, uses and can radiate radio frequency energy and, if not installed and used in accordance with the instructions, may cause harmful interference to radio communications. However, there is no guarantee that interference will not occur in a particular installation. If this equipment does cause harmful interference to radio or television reception, which can be determined by turning the equipment off and on, the user is encouraged to try to correct the interference by one or more of the following measures: Reorient or relocate the receiving antenna, increase the separation between the equipment and receiver or consult the dealer or an experienced radio/TV technician for help.

Industry Canada Note

This Class B digital apparatus complies with Canadian ICES-001.

ISO 9001 Registration

In 1994, OHAUS Corporation, USA, was awarded a certificate of registration to ISO 9001 by Bureau Veritas Quality International (BVQI), confirming that the OHAUS quality management system is compliant with the ISO 9001 standard's requirements. On June 21, 2012, OHAUS Corporation, USA, was re-registered to the ISO 9001:2008 standard.



OHAUS Corporation
7 Campus Drive
Suite 310
Parsippany, NJ 07054 USA
Tel: +1 973 377 9000
Fax: +1 973 944 7177

With offices worldwide / Con oficinas alrededor del mundo / Avec des bureaux dans le monde entier / Weltweite Geschäftsstellen / Con uffici in tutto il mondo.

www.ohaus.com



P/N 300933311 © 2016 OHAUS Corporation, all rights reserved / todos los derechos reservados / tous droits réservés / Alle Rechte vorbehalten / tutti i diritti riservati.

Printed in China / Impreso en la China / Imprimé en Chine / Gedruckt in China / Stampato in Cina