



MB23 and MB25

Basic Moisture Balances

TECHNICAL ADVANTAGES

Authorised OHAUS Australia Dealer
www.techadv.com.au
sales@techadv.com.au



Speed, Simplicity and Affordability

The new OHAUS MB23 and MB25 Basic Moisture Balances combine high quality and durable construction into a sleek, compact design. The MB23 and MB25 offer dependable, accurate, results for a wide variety of applications.

Standard Features Include:

- **Flexible Performance** – The OHAUS MB23 and MB25 provide accurate results at either 0.1% or 0.05% readability. And with your choice of infrared or halogen heating, they are ideal for textiles, wastewater, ceramics, food and other applications that require IR heating elements and measurements to 0.1% or 0.05%.
- **Simple to Operate** – Set up and operation is extremely easy. Just press and hold the temperature or time buttons to set drying parameters, add your sample and begin the test process. This makes the MB23 and MB25 ideal for routine tasks performed by operators of all skill levels.
- **Compact, Easy-to-Clean Design** – The compact footprint (17 x 13 x 28 cm) of the OHAUS MB23 and MB25 is designed to take up less space. Their easy-to-clean heating chamber is ideal for frequent use and inexpensive maintenance.

MB23 and MB25 Basic Moisture Balances

Specifications

Model	MB23	MB25
Capacity	110g	
Repeatability (Std Dev) (g)	0.3% (3g sample) 0.2% (10g sample)	0.2% (3g sample) 0.05% (10g sample)
Readability	0.1% / 0.01g	
Sample Size	3g to 20g typical, 0.5g min.	
Interface	Bidirectional RS-232	
Timer	1 - 99 minutes, 30-second increments to 60 minutes	
Heating Technology	Infrared (no glass)	Halogen
Temperature Range	50°C to 160°C in 5° increments	
Power	100 to 240 VAC, 50/60 Hz	
Tare Range	To capacity by subtraction	
Operating Temperature Range	5° to 40°C	
Display Type	Custom backlit LCD	
Displays	% moisture or % solids or weight (g), temperature, time	
Pan Size (Diameter)	90 mm	
Dimensions (W x H x D)	17 x 13 x 28 cm	
Net Weight	2.3 kg	
Shipping Weight	3.9 kg	

Included Accessories

Sample Pans (Quantity 50)	Standard	
In Use Cover	Standard	
Sample Pan Handler	Optional (PN 11113873)	Standard

Models are CE, CSA/UL and FCC approved

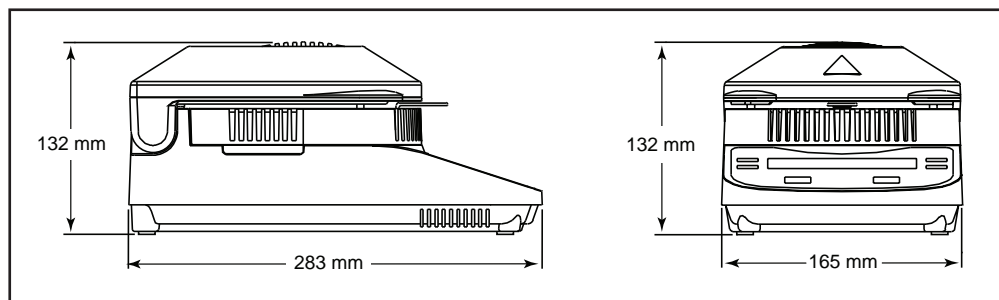


With its small footprint, the OHAUS MB23 and MB25 are compact enough to fit on any benchtop



The OHAUS MB23 comes with an infrared heating element, while the MB25 uses halogen technology

Outline Dimensions



Options and Accessories

	Ohaus Number
Security Locking Cable	80850000
Security Lock (Kensington® type)	80850043
Temperature Calibration Kit	11113857
50g M1 Calibration Weight	11117146
Sample Pans (80/Box)	80850086
Pads, Glass Fiber (200/Box)	80850087
Reusable Sample Pans (3/pk).....	80850088
STP103 Thermal Printer EU.....	80251993
STP103 Thermal Printer UK.....	80251994
CBM910 Impact Printer EU.....	80252043
SRP275 Impact Printer UK.....	80251989
Cable, STP103	80252581
Cable, CBM910	80252571
Cable, SRP275.....	21253677
Collect Software.....	80500746

Industry Leading Quality and Support

All OHAUS MB Series Moisture Balances are manufactured under an ISO 9001:2000 Registered Quality Management System. Our rugged construction and stringent quality control have been hallmarks of all OHAUS products for over a century.

www.ohaus.com

*ISO 9001:2000
Registered Quality Management System

80774xxx © Copyright Ohaus Corporation

